

Technical Specification

JMS-10-MDT

Overview

Air Volume	10m ³ /s
Power	Kohler KDI 3404 105kW T4 Diesel
Fuel Tank	220L Diesel Fuel Tank 25L Adblue Fuel Tank
Mobility	Track Mounted with Remote Control Operation
Fabrication	3mm & 5mm Mild Steel International Two Pack Paint
Air Intake Ø	1 x 810mm plus 3 x 508mm Ø

Filter Technical Data

Number of High Efficiency Filters	18
Filter Cleaning Efficiency	99.99% at 0.067 micron
Total Filter Surface Area	504m ²
Filter Temperature Limit	82°C (179.6°F)
Method of Changing Filters	Via 3 Filter Doors
Estimate Filter Change Time	Two technicians x 2hrs

Pre-Cleaning of Air Prior to Hitting Filters

No

Centrifugal Fan

Maximum Pressure Drop Across Filters

-3kPa *

Variable Air Flow Control

Yes

Fan Silencer

Yes
Option: to supply square to round attachment to allow vent bag to be attached to exhaust

Reverse Pulse Cleaning System

Reverse Pulse Cleaning Solenoids	6
On-board Compressor	Yes - 37 CFM Compressor
Plant Air Attachment	Optional Extra
Adjustable Pressure & Frequency Rate	Yes
Auto Drains	Yes



Discharge System

Hydraulic Reversible Auger	1
Main Screw Conveyor Auger	1 - Front Discharge
Incline Screw Conveyor Auger	Option: Front or Side Incline Discharge
Stainless Steel Rotary Valves	1

Instrumentation

PLC	Yes
HMI	7" Touch Button Display Option: 12" Touchscreen Display
Control System	CANBus
Static & Differential Pressure Gauges	Yes
Emissions Monitoring Probe	Yes - 24V
Operational Lights & Alarms	Yes
Work Safety Lights	6 x 24VDC Lights
Fuel Level Indicator Lights	Yes
Amber Rotating Beacons	2
Velocity Probe	No
Proximity Sensors	Optional Upgrade
Auto Greasing System	Optional Upgrade

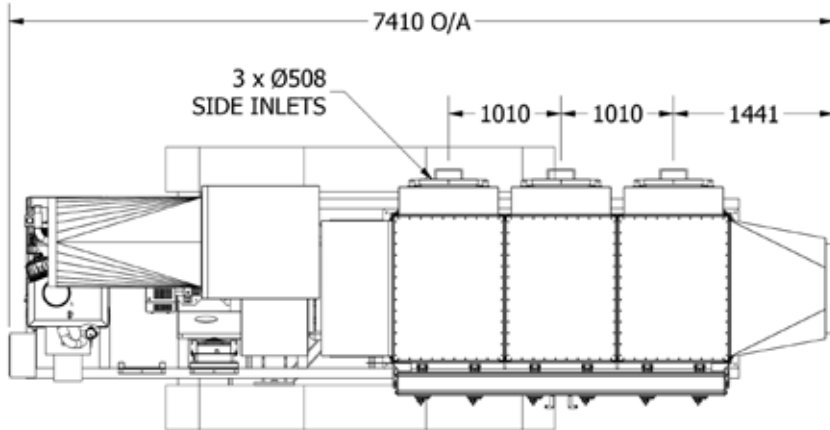
Safety Features

Risk Assessment	Available on Request
Emergency Stop	1 E-Stop
Emergency Stop Lanyard System	Yes
Amber Rotating Beacons	2
Split Isolators	Split Starter and Battery Isolator
Fire Suppression System	Optional Upgrade

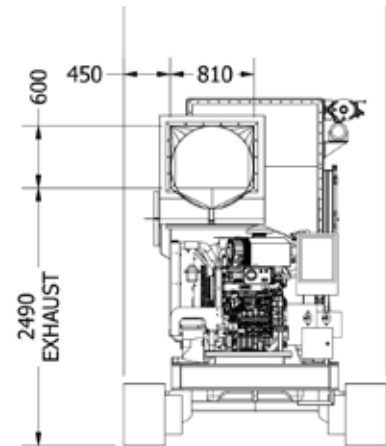
* Alternative centrifugal fans can be utilised to optimise air volume and pressure to suit site conditions and specific applications.

Technical Specification

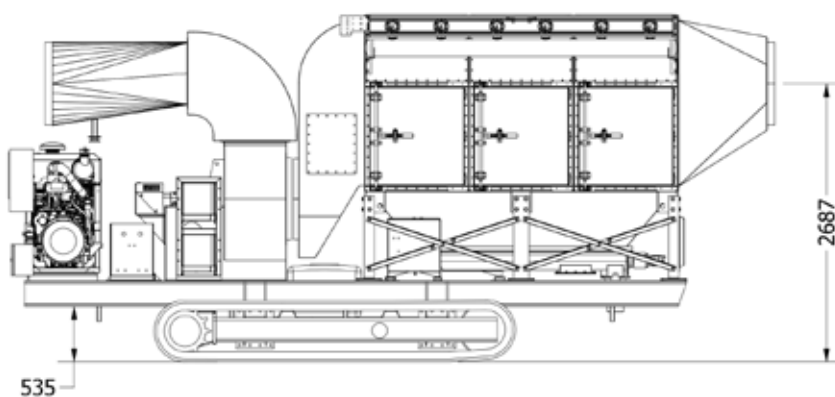
JMS-10-MDT



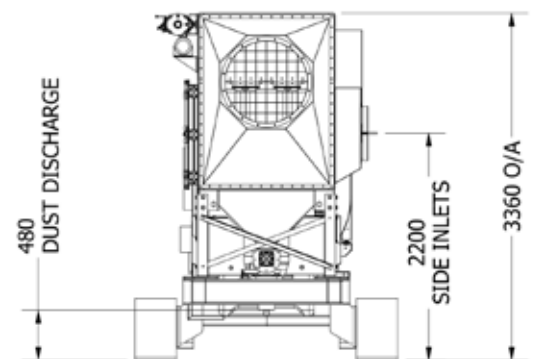
TOP VIEW



LEFT VIEW



FRONT VIEW



RIGHT VIEW

Key Dimensions

Maximum Height	3355mm
Maximum Width	2540mm
Maximum Length	7408mm
Mass	8T

Other models in the JMS 10 M-Series

10m³/s air volume, available as:

- **JMS-10-MDS** - mobile, diesel, skid dust collector
- **JMS-10-MES** - mobile, electric, skid dust collector
- **JMS-10-MEC-XP** - mobile, electric, caster dust collector

Grydale. Experts in Dust Control

Our team have over 15 years' experience designing and manufacturing industrial dust collection and extraction solutions. We focus on adding value through a total service offering, providing ventilation design, manufacture, implementation, ongoing project management and on-site maintenance and technical support.

Contact us for more information:

enquiries@grydale.com.au