

Technical Specification

JMS-10-MEC

Overview

Power	380-480V Electric
Variable Speed Drive	55kW IP54 3 Phase VSD
Mobility	4 x Castor Wheels (1.8T Capacity Each) Plus: 4 x Lifting Lugs, 4 x Rigging Mounts
Fabrication	3mm & 5mm Mild Steel International Two Pack Paint
Air Intake Ø	1 x 800mm Ø

Filter Technical Data

Air Volume	10m ³ /s
Number of High Efficiency Filters	12
Filter Cleaning Efficiency	99.99% at 0.067 micron
Total Filter Surface Area	252m ²
Filter Temperature Limit	82°C (179.6°F)
Method of Changing Filters	Via 2 Filter Doors
Estimate Filter Change Time	Two technicians x 1hr

Centrifugal Fan

Maximum Pressure Drop Across Filters	-3kPa *
Electric Motor	55kW-2P
Hydraulic Motor	4kW
Variable Air Flow Control	Yes
Fan Silencer	Yes
Exhaust Outlet Ø	800mm Ø

Reverse Pulse Cleaning System

Reverse Pulse Cleaning Solenoids	4
Filter Pulse Cleaning System	Plant Air Receiver Tank (180L) and Attachment Kit
Adjustable Pressure & Frequency Rate	Yes
Auto Drains	Yes

Discharge System

Main Screw Conveyor Auger	1
Incline Screw Conveyor Auger	1 - with swivel connection Option: Front / Side Incline Auger
Stainless Steel Rotary Valves	1



Instrumentation

PLC	Yes
HMI	7" Touch Button Display Option: 12" Touchscreen Display
Control System	CANBus
Static & Differential Pressure Gauges	Yes
Velocity Probe	Yes
Emissions Monitoring Probe	Yes – 24V

Electrical System and Wiring

Single Cubicle for Power Distribution and Control	Yes
Complies to AU / NZ / EU / CE Standards	Yes
Double Door Enclosure	800x800x300 IP 65 1.5mm
Receptacle	250 AMP
Starter and Protection	1 x 55kW VFD
Control Wiring and Relays	24VDC

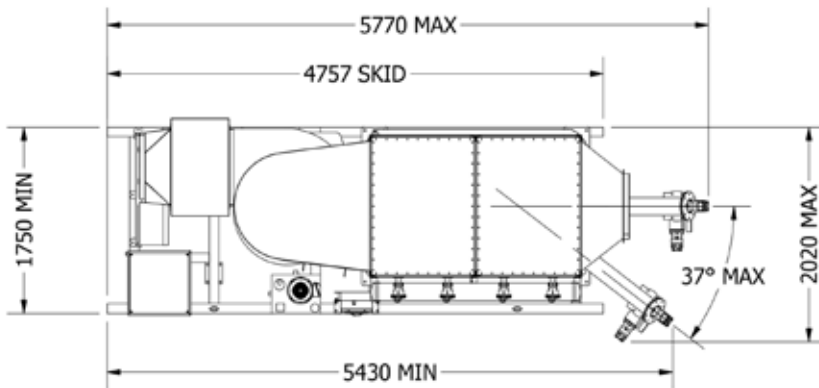
Safety Features

Risk Assessment	Available on Request
Isolator	Mains Isolator
Emergency Stops	2
Operation & Maintenance Lights & Alarms	Yes
Amber Rotating Beacons	2

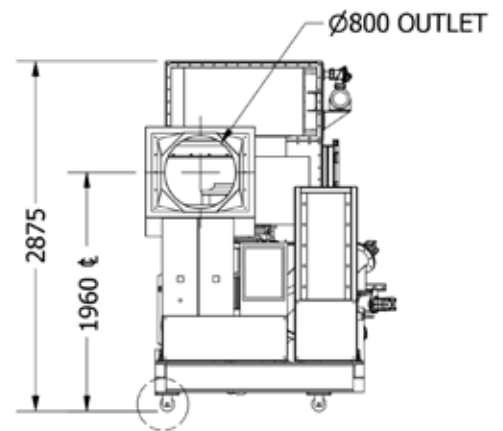
* Alternative centrifugal fans can be utilised to optimise air volume an pressure to suit site conditions and specific applications.

Technical Specification

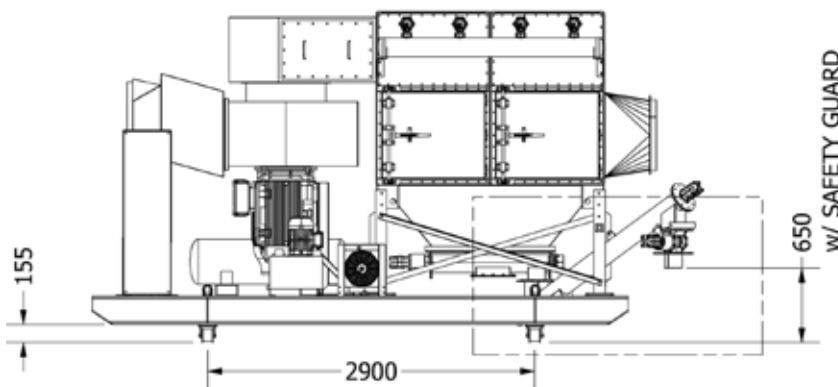
JMS-10-MEC



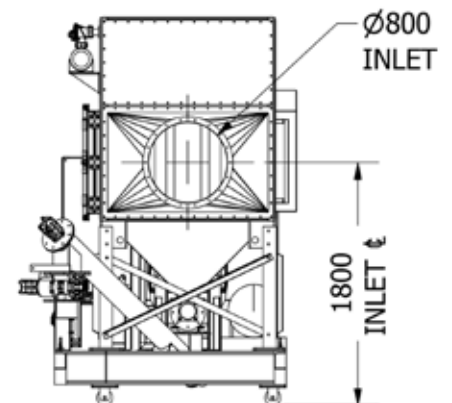
TOP VIEW



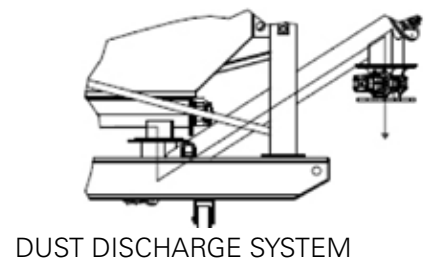
LEFT VIEW



FRONT VIEW



RIGHT VIEW



DUST DISCHARGE SYSTEM

Key Dimensions

Maximum Height	2875mm
Maximum Width	1750mm (skid) 2020mm (with rear discharge auger)
Maximum Length	5430mm (with rear side discharge auger) 5770mm (with rear discharge auger)
Mass	4.8 T

JMS 10 M-Series. Product Range

10m³/s air volume, available as:

- **JMS-10-MDT** - mobile, diesel, track dust collector
- **JMS-10-MDS** - mobile, diesel, skid dust collector
- **JMS-10-MES** - mobile, electric, skid dust collector

Grydale. Experts in Dust Control

Our team have over 15 years' experience designing and manufacturing industrial dust collection and extraction solutions.

We focus on adding value through a total service offering, providing ventilation design, manufacture, implementation, ongoing project management and on-site maintenance and technical support.

Contact us for more information.